



Electromagnetic Locking

ASSA ABLOY

The global leader in
door opening solutions

A4 Single Leaf Electromagnetic Lock



Single Series

The Single Series Electromagnetic Locks operate with holding forces from 250kg up to 280kg. Covering a range of applications the A4 Electromagnets are ideal for applications from cupboard doors through to high use commercial swing doors.

With fixing options including wood, aluminium and steel constructions as well as glass door applications, the range caters to most electromagnetic needs.

Key Features

- Fail-Safe: unlocks when power is removed
- Easy installation: suitable for both new and retrofit usage
- High holding force: refer to the technical data overleaf
- Self-alignment: armature plate pivots to accommodate door drop
- Silent operation: no humming or buzzing
- Dual voltage: site selectable 12 or 24 Vdc
- Instantaneous release: smart electronics on the A Series Electromagnets eliminate residual magnetism
- 3 Year ASSA ABLOY Warranty

Applications

- Aluminium doors
- Glass doors
- IT storage rooms
- Access control
- Surface mount for inward and outward swinging doors

Product Details

	Monitored	Dual Monitored
Holding Force	250-280 Kg	250-280 Kg
Dimensions	(L)250 x (H)47 x (D) 26mm	(L)250 x (H)47 x (D) 26 mm
Voltage	12Vdc/24Vdc +/- 10%	12Vdc/24Vdc +/- 10%
Current	450mA @ (12Vdc) 225mA @ (24Vdc)	450mA @ (12Vdc) 225mA @ (24Vdc)
Monitoring	Hall-Effect	Hall-Effect & Reed Switch
Operating Temperature	-10 to 55 Degrees	-10 to 55 Degrees
Operating Humidity	0-90%	0-90%

Standards and Compliance

	CE Approved
	UL Listed

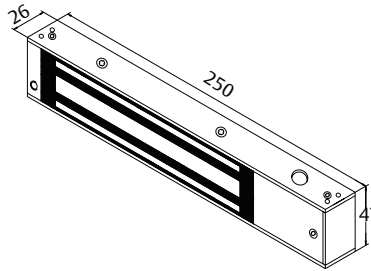
A4 Single Leaf Electromagnetic Lock



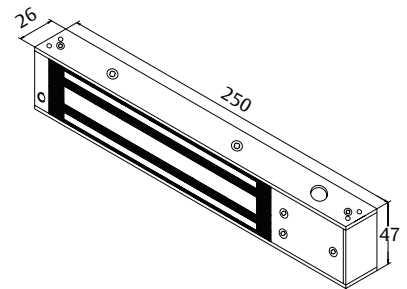
A4 Single Electromagnetic Lock - Monitored



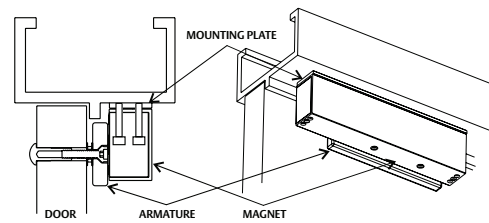
A4 Single Electromagnetic Lock - Dual Monitored



Monitored Lock



Dual Monitored lock



Typical Install for A4 out swinging doors.

Ordering Information

Part Number	Product Description
AAIEMAGA4SSHSAL	EMA4 E/Magnet 12/24Vdc Single Monitored
AAIEMAGA4SSHRAL	EMA4 E/Magnet 12/24Vdc Dual Monitored

Specification Statement

The Single Series Electromagnetic Lock should be constructed in an aluminium case with heavy duty electromagnet. The range only operates in Fail Safe mode and relies on a secondary lock or battery backup system. In some cases the Magnet Armature Plate pivots to accommodate door drop. The lock needs to be equipped with “smart electronics” that have zero residual magnetism (instantaneous release). This is crucial for correct operation.

A4 Double Leaf Electromagnetic Lock



Double Series

The Electromagnetic Locks operate with holding forces from 500kg up to 560kg. Covering a range of applications these magnets are ideal for applications from access ways through to high use commercial swing doors. With fixing options including wood, aluminium and steel constructions as well as glass door applications, the range caters to most electromagnetic needs.

Key Features

- Fail-Safe: unlocks when power is removed
- Easy installation: suitable for both new and retrofit usage
- High holding force: refer to the technical data overleaf
- Self-alignment: armature plate pivots to accommodate door drop
- Silent operation: no humming or buzzing
- Dual voltage: site selectable 12 or 24 Vdc
- Instantaneous release: smart electronics on the electromagnets eliminate residual magnetism
- 3 Year ASSA ABLOY Warranty

Applications

- Aluminium doors
- Double swing doors
- Access control
- Surface mount for inswing and outswing doors

Product Details

	Monitored	Dual Monitored
Holding Force	500-560 Kg	550-560 Kg
Dimensions	(L)500 x (H)47 x (D) 26mm	(L)500 x (H)47 x (D) 26 mm
Voltage	12Vdc/24Vdc +/- 10%	12Vdc/24Vdc +/- 10%
Current	900mA @ (12Vdc) 450mA @ (24Vdc)	900mA @ (12Vdc) 450mA @ (24Vdc)
Monitoring	Hall-Effect	Hall-Effect & Reed Switch
Operating Temperature	-10 to 55 Degrees	-10 to 55 Degrees
Operating Humidity	0-90%	0-90%

Standards and Compliance



CE Approved



UL Listed

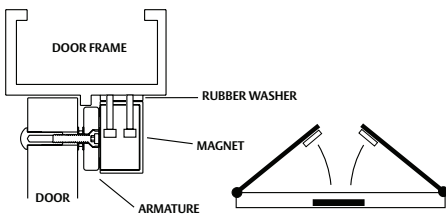
A4 Double Leaf Electromagnetic Lock



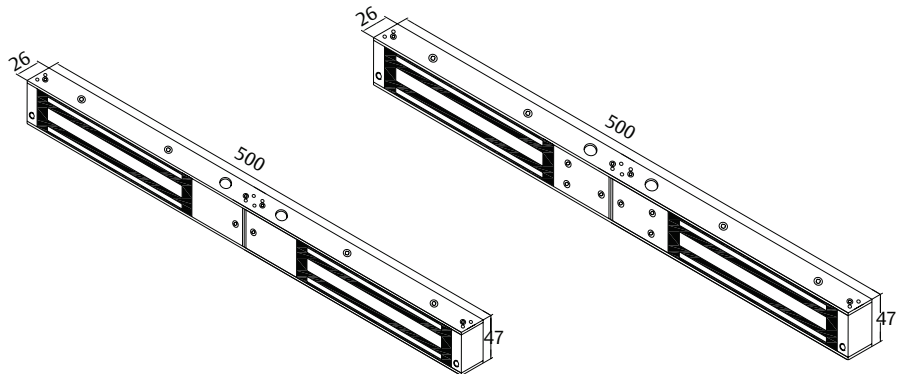
A4 Double Electromagnetic Lock - Monitored



A4 Double Electromagnetic Lock - Dual Monitored



Out swinging door using the standard mounting plate.



Monitored Lock

Dual Monitored Lock

Ordering Information

Part Number	Product Description
AAIEMAGA4DSHSAL	EMA4 E/Magnet 12/24Vdc Dual Monitored
AAIEMAGA4DSHRAL	EMA4 E/Magnet 12/24Vdc Dual Monitored

Specification Statement

The Double Series Electromagnetic Lock should be constructed in an aluminium case with heavy duty electromagnet. The range only operates in Fail Safe mode and relies on a secondary lock or battery backup system. The lock needs to be equipped with "smart electronics" that have zero residual magnetism (instantaneous release). This is crucial for correct operation.

Electromagnetic Lock Accessories



L and Z Brackets



U Bracket



U Bracket Plate

Electromagnetic Lock Accessories

The Electromagnetic Lock range offers a number of accessory options. These accessories allow the Electromagnetic Locks to be used in a number of different applications and can be adjusted and suited to each situation. This allows the installer to configure the door as required allowing user specific features such as open in / open out selection or glass door applications. Electromagnetic Lock Accessories meet or exceed local and international standards, providing safe and secure locking.

Key Features

- Adjustable fixing positions
- Cast aluminium construction
- Meet and exceed international and local standards

Applications

- Open in/open out doors
- Glass door security
- Double doors security
- Sliding door security

Ordering Information

Part Number	Product Description
AAIEBKA4SLAL	L bracket for A4 600 lbs magnet
AAIEBKA4SZLAL	Z & L bracket for A4 600 lbs magnet
AAIEBKA4SULAL	U bracket for A4 600 lbs magnet
AAIEBKA4SIAL	I bracket for A4 600 lbs magnet

Monitoring Options

Hall-Effect monitoring or Bond Sensor

This is a monitoring output from electromagnetic lock by detecting an armature plate and notifying access control and/ or alarm systems that a door is properly secured. The sensitive magnetic field monitors the surface of the armature plate, providing maximum assurance that the lock is engaged. Movement in the armature's position beyond the set tolerance alerts the access control system that the magnetic lock may not be generating its full holding force.

Reed Switch or Door Position Sensor

The Door Position Switch provides a signal to an access control system indicating whether the door is open or closed. When used in conjunction with bond sensor, it provides layered status indication for precise information about the door state.

ASSA ABLOY is the global leader in door opening solutions, dedicated to satisfying end-user needs for security, safety and convenience.

ASSA ABLOY is represented in all major regions, in both mature and emerging markets, with leading positions in Australia, Europe and North America.

As the world's leading lock group, ASSA ABLOY offers a more complete product range of door opening solutions than any other company on the market.

ASSA ABLOY India Pvt. Ltd.

16 Floor, Tower B,
Building No. 5
DLF Cyber Terraces,
DLF Phase III
Gurgaon - 122002
Haryana, India
Tel: 0124 - 440 7060

ASSA ABLOY India Pvt. Ltd.

Ecostar, 12th Floor, 1201,
Vishweshwar Nagar,
Near Udipi Hotel, Goregaon East,
Mumbai - 400063
Maharashtra, India
Tel: 022 - 66114100

ASSA ABLOY India Pvt. Ltd.

#32/3, 4th Floor
1st Main Road, Domlur Layout
Bengaluru - 560038
Karnataka, India
Tel: 080- 41242713

